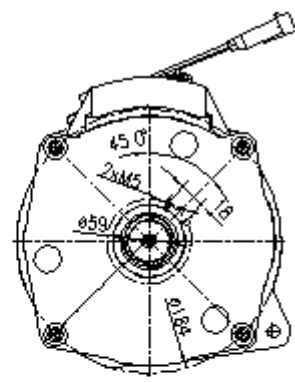
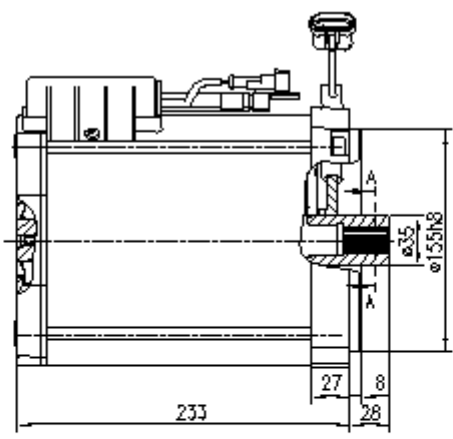
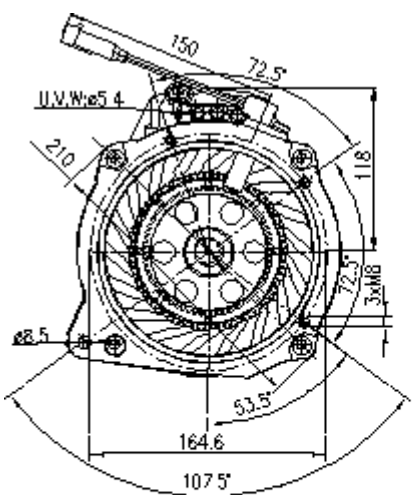


Información del motor

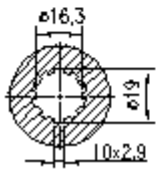
<https://www.letrika.mahle.com/katalog/letrikaletrika.html?lang=E&tab=0&koda=IM7027>

Technical Data

Product	Motor
Letrika P/N	IM7027
Voltage	30 V
Power	3.3 kW
OEM P/N	11.217.094
MAHLE P/N	MM 348
Description	AMT7121
No. of revolutions	4,800/min
Rotation	↔
S1	
S2	60 min
S3	
Mass	25 kg
Flange	Customer design
Termo protection	Yes
Ventilation	No



SECTION A-A



Revision #1
Created 25 February 2026 23:02:26 by Rafael Carbonell Lázaro
Updated 22 May 2026 10:46:15 by Rafael Carbonell Lázaro